

MSE-MM

BOXING MACHINE FOR PROCESSED CHEESE TRIANGLES

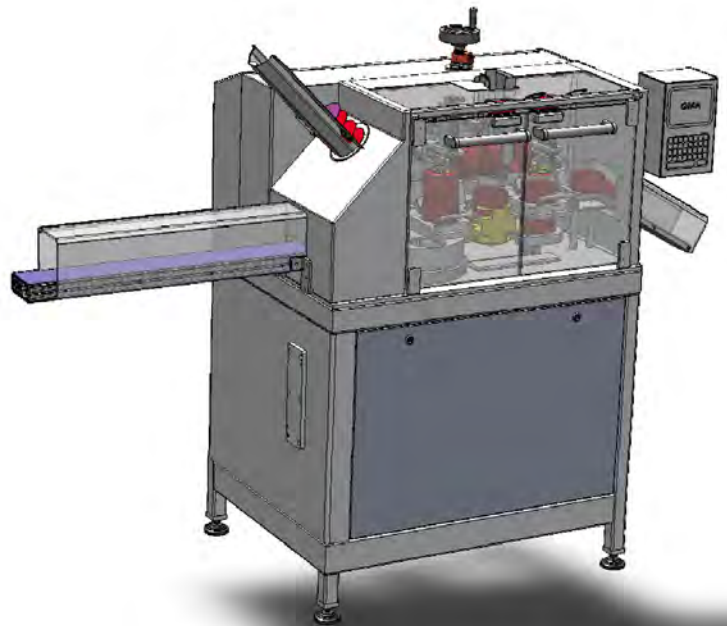
Up to 30 boxes / min

 Made in FRANCE



« MSE-MM, high performance and reliable boxing machine, designed for round processed cheese boxes »

- MSE-MM is dedicated to the stratification and boxing of triangular portions of processed cheese.
- MSE-MM capacity is up to 30 boxes / min, with adjustable layer from 1 to 4.
- Format change procedure is very simple: 20 minutes.
- MSE-MM has following main functions :
 - Conveying and opening of empty round boxes (lids separated from bottoms)
 - Stratification of portions layers
 - Insertion of cardboard divider between layers
 - Filling empty boxes with portions
 - Closing filled boxes



TECHNICAL SPECIFICATIONS

Speed (box/min)	Up to 30
Layer	1, 2, 3, 4
Box configuration	6-6 / 8-8
Electrical consumption	10 kW - 400V Tri + Earth - 50Hz



Rue Roger Thirode - 39800 POLIGNY - France
Tél. : +33 (0)3 84 37 24 12 - Fax : +33 (0)3 84 37 05 57 - gma@gma-france.com

www.gma-france.com

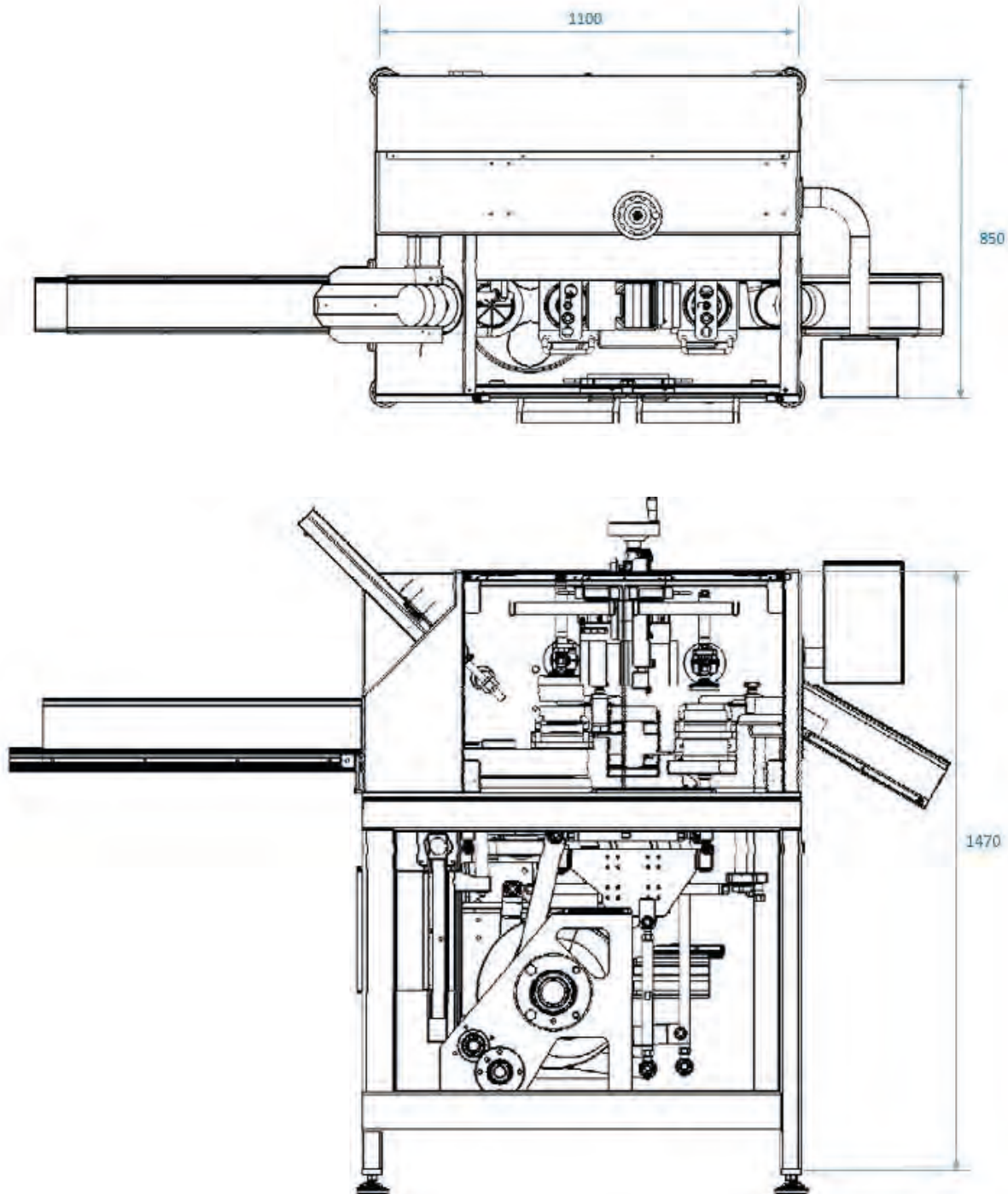


MSE-MM

BOXING MACHINE FOR PROCESSED CHEESE TRIANGLES

Up to 30 boxes / min

 Made in FRANCE



Indicative and non contractual layout.